

E3 TOTAL-BODY ELLIPTICAL CROSS-TRAINER

E3-XX00-0105, E3-XX14-0105

PARTS MANUAL



Table of Contents

Miscellaneous	2
Pivot & Clevis Covers	3
Console Support & Handlebars	4
User Arms & Hardware	5
Upright & Upright Shrouds	7
Pedal Lever Assemblies	8
Main Shrouds	9
Idler Assemblies & Covers	10
Crank Related Components	11
Crank Pulley & Drive Belt	12
Coupler Components & Covers	13
Motor	14
Brake & Tensioner Components	15
Stabilizer Components & Grommets	16
Wiring Diagram	17

Miscellaneous

Item	Alpha Code	Part Number	Description (Quantity)
MISC-001	E3X	8974001	ASSY, TRANSFORMER, 100-240V, 9V, 1.5A, DOM
MISC-002	E3X	8974101	ASSY, TRANSFORMER, 100-240V, 9V, 1.5A, UK
MISC-003	E3X	8974201	ASSY, TRANSFORMER, 100-240V, 9V, 1.5A, CONT
MISC-004	E3X	8974301	ASSY, TRANSFORMER, 100-204V, 9V, 1.5A, AUST
MISC-005	E3X	8974401	ASSY, TRANSFORMER, 100-240V, 9V, 1.5A, BR

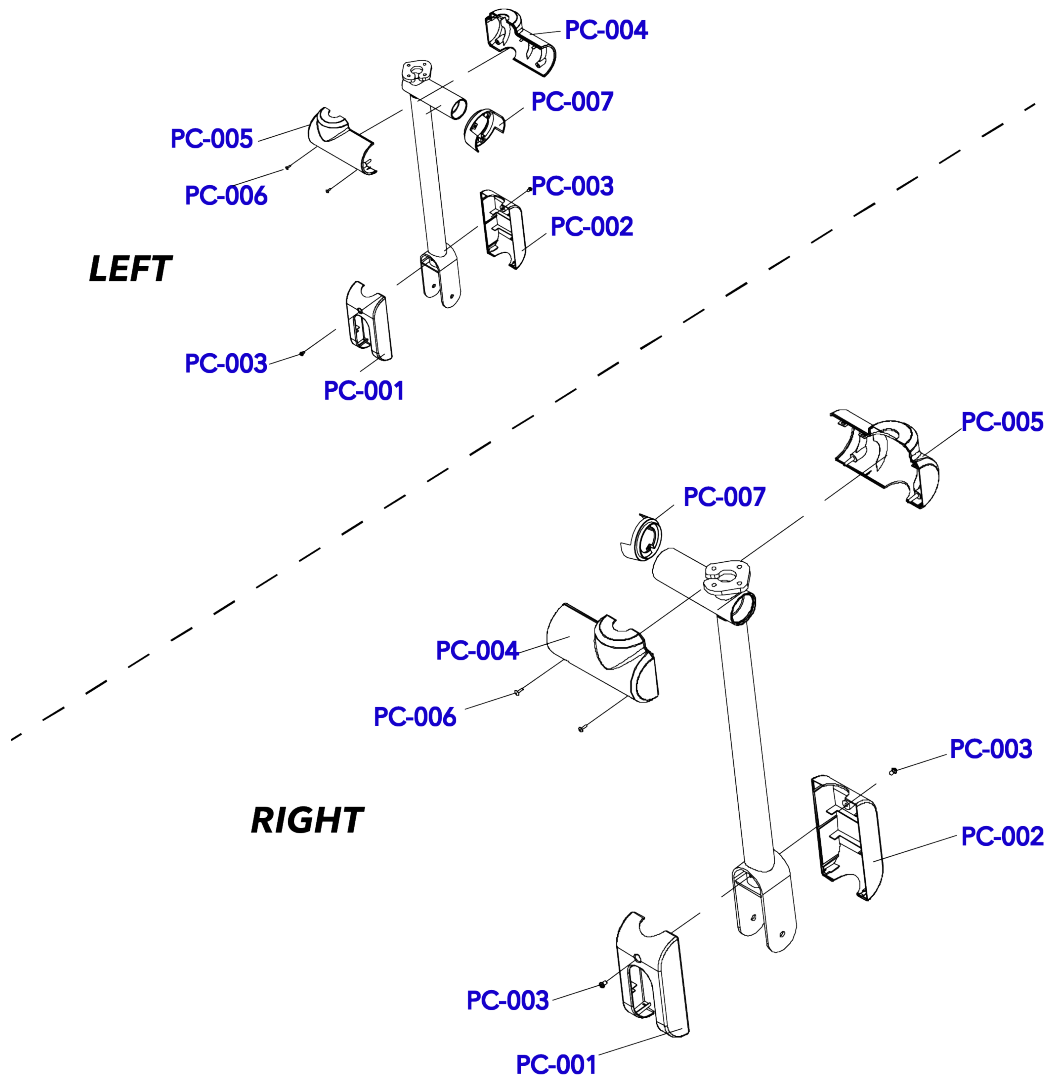
Serial Number Table

Item	Alpha Code	Starting Serial Number
E3-XX00-0105	E3X	E3X100001
E3-XX14-0105	E3X	E3X100001

Consoles Used with E3 Base - See Console Parts Manuals

Alpha Code	Part Number	Description (Quantity)
GC	GC-000X-0105	GO CT/BIKE CONSOLE ENG/ENG+MET
GC	GC-020X-0105	GO CT/BIKE CONSOLE GER/MET
GC	GC-040X-0105	GO CT/BIKE CONSOLE SPN/MET
TKC	TKC-000X-0205	TRACK + CT/BIKE CONSOLE ENG/ENG+MET
TKC	TKC-020X-0205	TRACK + CT/BIKE CONSOLE GER/MET

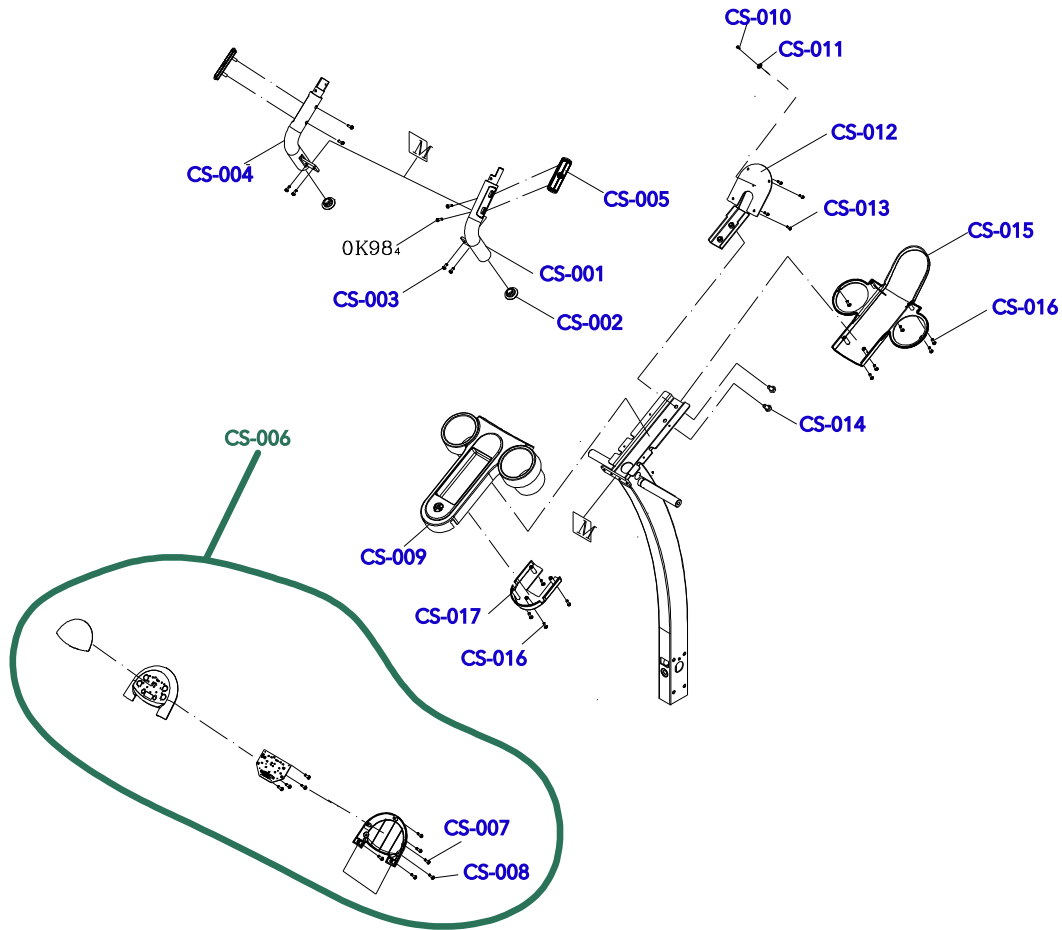
Pivot & Clevis Covers



Parts List

Item	Alpha Code	Part Number	Description (Quantity)
PC-001	E3X	REX3HUF	Right and Left Rear Clevis Covers
PC-002	E3X	REX3HUG	Right and Left Front Clevis Covers
PC-003	E3X	REX3JNZ	M5 X 8 Phillips Pan Screw (4)
PC-004	E3X	REX3HP1	Rear Right Pivot Cover / Front Left Pivot Cover
PC-005	E3X	REX3HP3	Rear Left Pivot Cover / Front Right Pivot Cover
PC-006	E3X	REX3JNL	M3.5 X 12 Pan Screw (4)
PC-007	E3X	REX3HPA	Dead Shaft Collar (2)

Console Support & Handlebars



Parts List

Item	Alpha Code	Part Number	Description (Quantity)
CS-001	E3X	REX3HWW	Right Handlebar
CS-002	E3X	REX3HWX	Grip Cap (2)
CS-003	E3X	REX0K0A	Cap Screw (4)
CS-004	E3X	REX3HWV	Left Handlebar
CS-005	E3X	REX3JMU	HR Electrode Kit (2)
CS-006	E3X	REX3HYU	User Pod Assembly (Includes Front and Rear Plastic, English Overlay, PCB Board, & Screws)
CS-007	E3X	REX2MJM	Pan Screw (5)
CS-008	E3X	REX2NAH	Pan Screw (2)
CS-009	E3X	REX3HU9	Accessory Tray
CS-010	E3X	REX2D1X	Ground Screw
CS-011	E3X	REX0JAF	Star Washer
CS-012	E3X	REX3HV0	Console Support
CS-013	E3X	REX3EVT	Pan Screw (4)
CS-014	E3X	REX3JNN	Hex Bolt (2)
CS-015	E3X	REX3HU7	Bottom Console Support Cover
CS-016	E3X	REX3JPY	Pan Screw (12)
CS-017	E3X	REX3HU8	Lower Console Support Cover

User Arm

Parts List

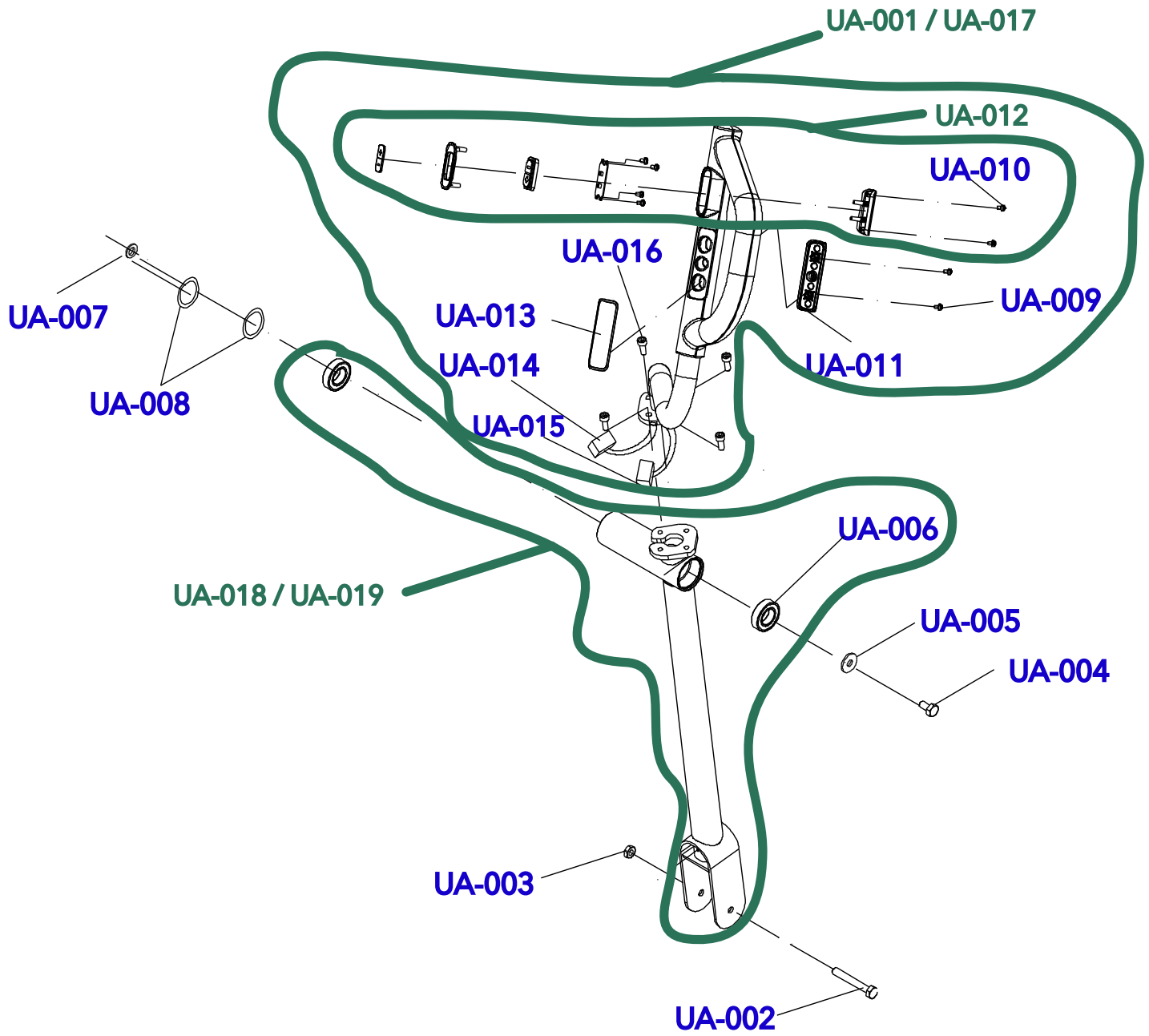
Item	Alpha Code	Part Number	Description (Quantity)
UA-001	E3X	REX3PA8	Right User Arm Assembly (See Note 1)
UA-002	E3X	REX2T9E	Hex Bolt
UA-003	E3X	REX2T9D	M10 X 1.5 Hex Nut Black Zinc
UA-004	E3X	REX2DVG	Hex Bolt
UA-005	E3X	REX2MPO	Flat Washer
UA-006	E3X	REX0HVO	Bearing (2 per Arm)
UA-007	E3X	REX22B3	Washer (2)
UA-008	E3X	REX0JBD	Wave Washer (4)
UA-009	E3X	REX2NAD	M4 X 18 Pan Head Tapping Screw (2)
UA-010	E3X	REX3HSU	M4 X 16 Pan Head Tapping Screw (2)
UA-011	E3X	REX3HR5	Heart Rate Sensor, Back
UA-012	E3X	REX3KL6	Resistance Button Assembly
UA-013	E3X	REX3HR4	Heart Rate Sensor, Front
UA-014	E3X	REX3HSA	Cable Assembly, Activity Zone to Resistance Switch
UA-015	E3X	REX3HSC	Cable Assembly, User Arm HR
UA-016	E3X	REX2ZXH	Hex Socket Screw (4)
UA-017	E3X	REX3PA9	Left User Arm Assembly (See Note 1) Not Shown
UA-018	E3X	REX3K68	Right Rocker Arm Assembly (See Note 2)
UA-019	E3X	REX3K67	Left Rocker Arm Assembly (See Note 2) Not Shown

Note 1: Assembly includes User Arm Weldment, Grips, HR Sensors, Cables and Screws.

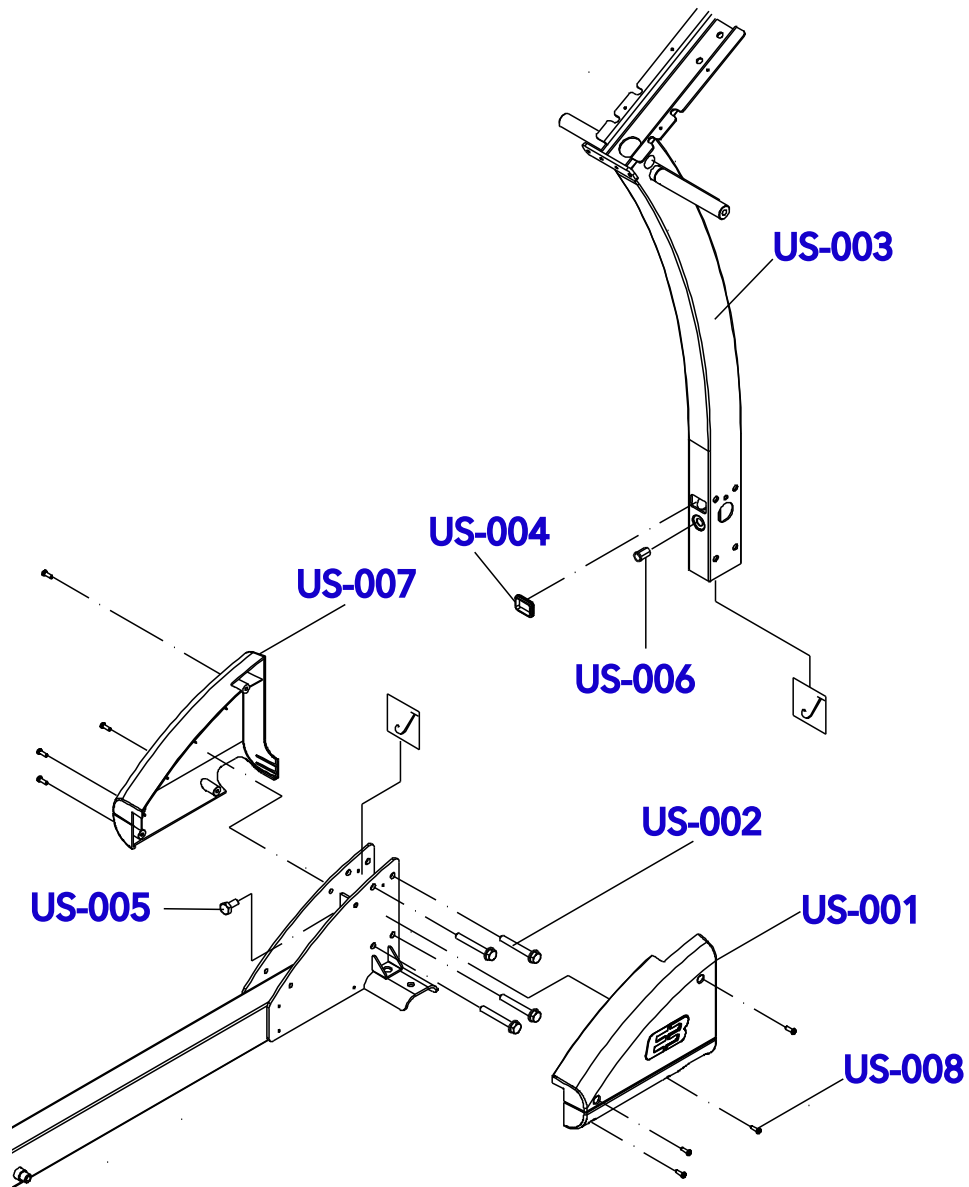
Note 2: Assembly includes Rocker Arm Weldment, Bearings and Screws.

Illustration on next page.

User Arm



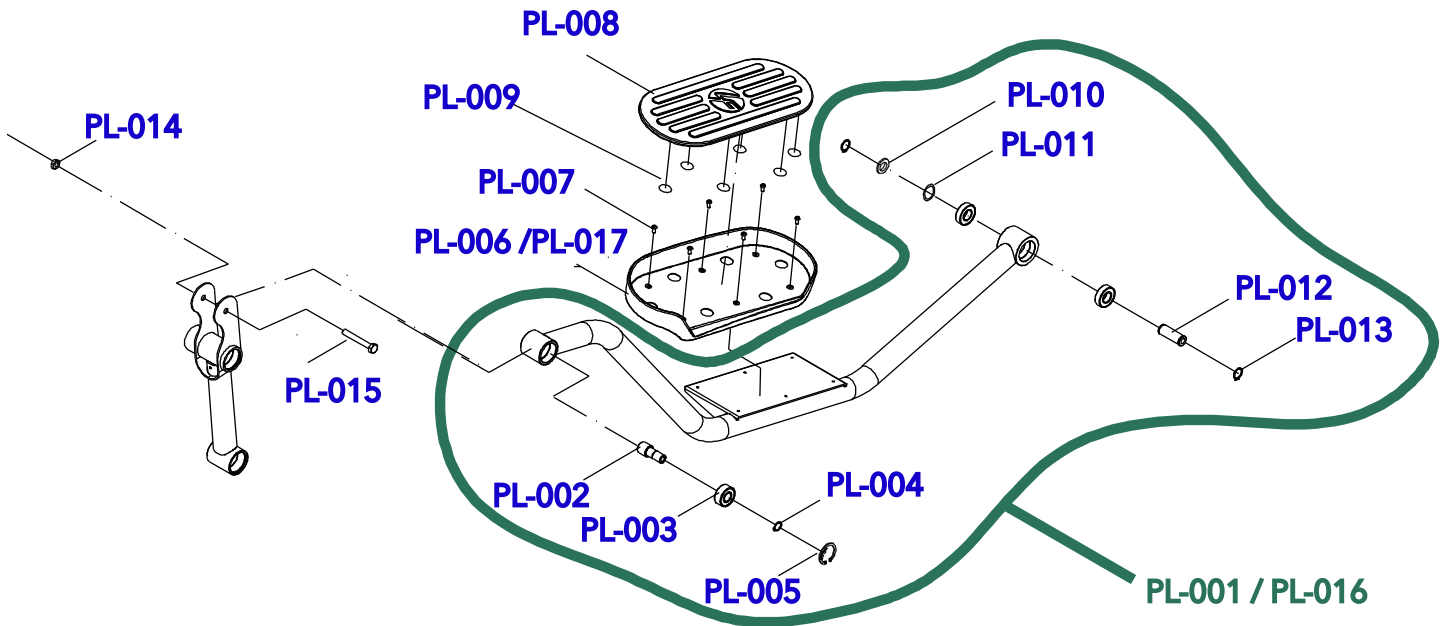
Upright & Upright Shrouds



Parts List

Item	Alpha Code	Part Number	Description (Quantity)
US-001	E3X	REX3K66	Right Front Shroud with E3 logo
US-002	E3X	REX2PJ0	Hex Bolt (4 per shroud)
US-003	E3X	REX3HU3	Upright Weldment
US-004	E3X	REX2S4K	Grommet
US-005	E3X	REX2DVG	Bolt
US-006	E3X	REX21NN	Insert Nut
US-007	E3X	REX3K64	Left Front Shroud with E3 logo
US-008	E3X	REX2T9X	Pan Screw (4 per shroud)

Pedal Lever Assemblies

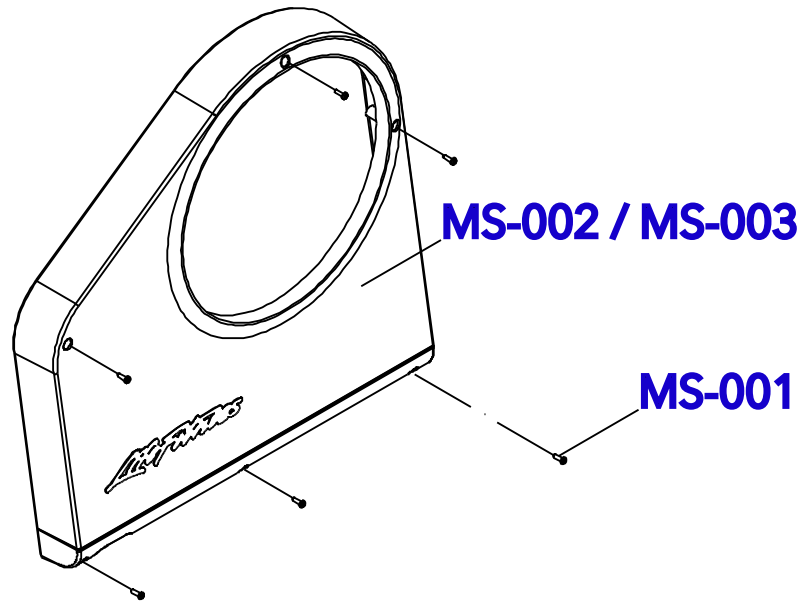


Parts List

Item	Alpha Code	Part Number	Description (Quantity)
PL-001	E3X	REX3EA5	Right Pedal Lever Assembly (See Note 1)
PL-002	E3X	REX2BAD	Coupler Shaft (2)
PL-003	E3X	REX2BKB	Self Aligning Bearing (2)
PL-004	E3X	REX0JEE	Retaining Ring (Small) (2)
PL-005	E3X	REX0JE0	Retaining Ring (Large) (2)
PL-006	E3X	REX3HUH	Right Pedal
PL-007	E3X	REX2T9W	Pedal Screws (6 Per Pedal)
PL-008	E3X	REX3HLX	Pedal Insert
PL-009	E3X	REX3K52	Velcro Pads (6 Per Pedal)
PL-010	E3X	REX2NDD	Spacer Washer (2)
PL-011	E3X	REX0JB7	Wave Washer (2)
PL-012	E3X	REX2LJZ	Adjustable Link Axle (2)
PL-013	E3X	REX0JEG	Retaining Ring (4)
PL-014	E3X	REX2T9D	Hex Nut (2)
PL-015	E3X	REX2T9E	Hex Bolt (front and rear) (4)
PL-016	E3X	REX3EA6	Left Pedal Lever Assembly (See Note 1) Not Shown
PL-017	E3X	REX3HUJ	Left Pedal Not Shown

Note 1: Assembly includes weldment and bearings pressed in.

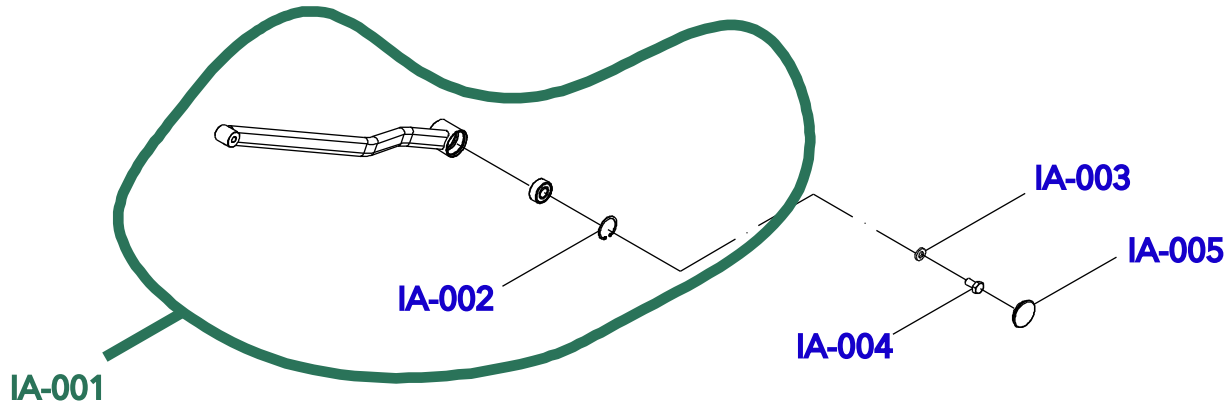
Main Shrouds



Parts List

Item	Alpha Code	Part Number	Description (Quantity)
MS-001	E3X	REX2T9X	Screw (6 per Shroud)
MS-002	E3X	REX2K62	Right Shroud with Logo
MS-003	E3X	REX3K5K	Left Shroud with Logo <i>Not Shown</i>

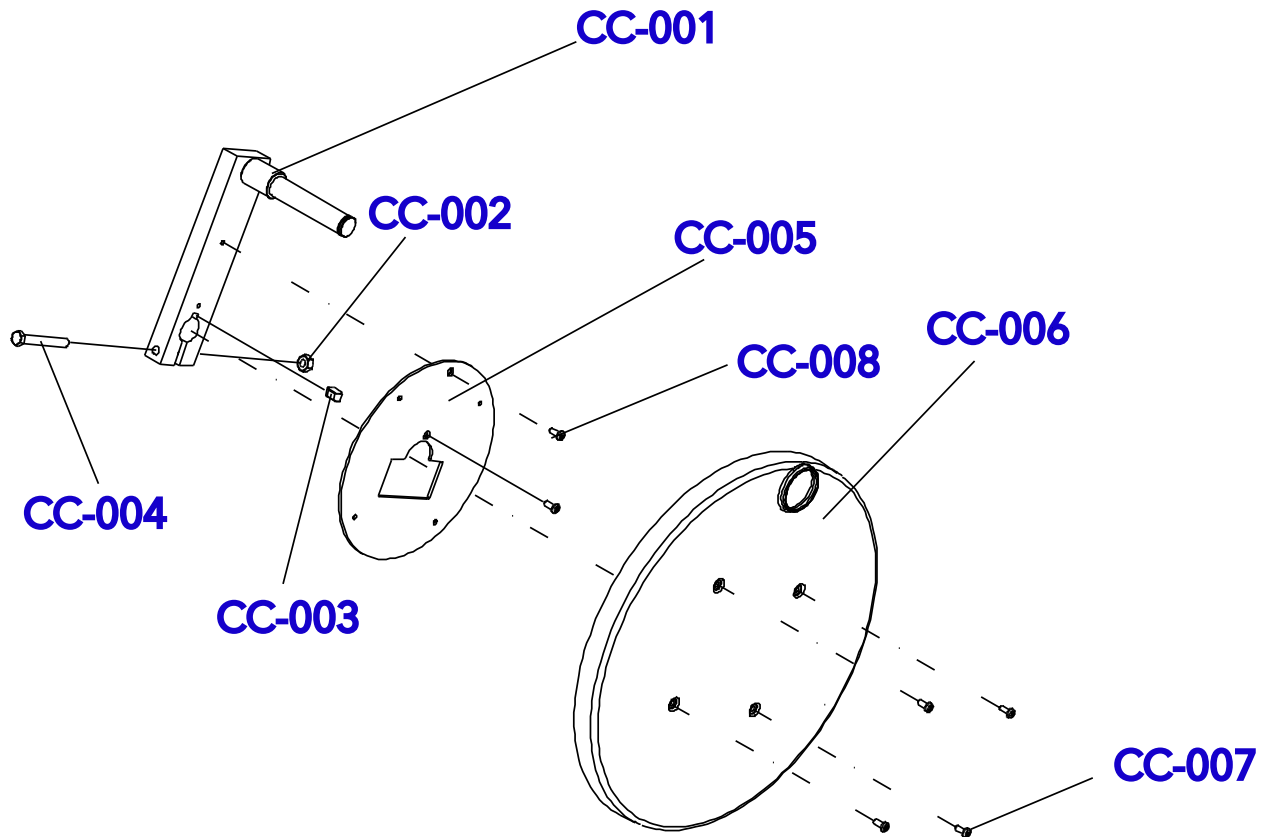
Idler Assemblies & Covers



Parts List

Item	Alpha Code	Part Number	Description (Quantity)
IA-001	E3X	REX3EA9	Idler Assembly - SAME FOR RIGHT AND LEFT (2) <i>(Includes Idler Weldment, Bearing and Retaining Ring)</i>
IA-002	E3X	REX0JDZ	Retaining Ring (2)
IA-003	E3X	REX0J4R	Washer (2)
IA-004	E3X	REX2DVG	Hex Bolt (2)
IA-005	E3X	REX3E9C	Idler End Cap

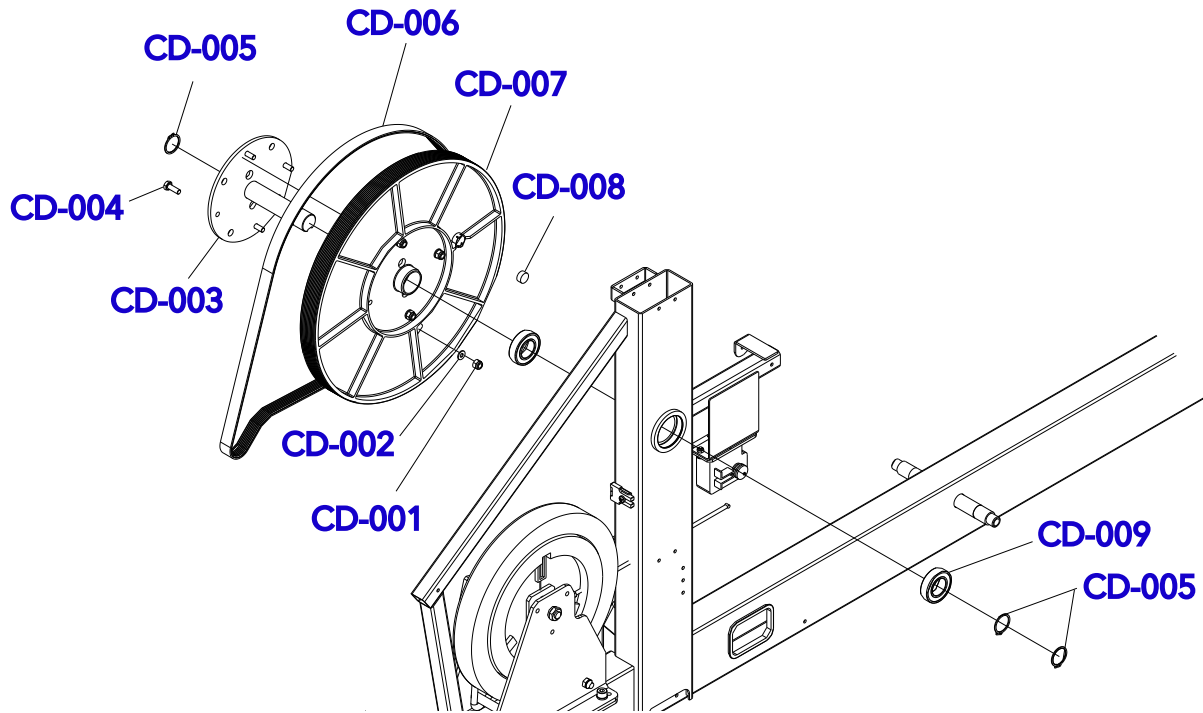
Crank Related Components



Parts List

Item	Alpha Code	Part Number	Description (Quantity)
CC-001	E3X	REX2LL2	Right or Left Crank Arm (2)
CC-002	E3X	REX22RP	Nut (2)
CC-003	E3X	REX0JGQ	Crank Key (2)
CC-004	E3X	REX21NS	Bolt (2)
CC-005	E3X	REX2LRT	Right or Left Crank Cover Support Plate (2)
CC-006	E3X	REX3E9M	Right or Left Crank Cover (2)
CC-007	E3X	REX3JNZ	Screw (4 per cover)
CC-008	E3X	REX0K5T	Crankplate Mtg. Screw (4)

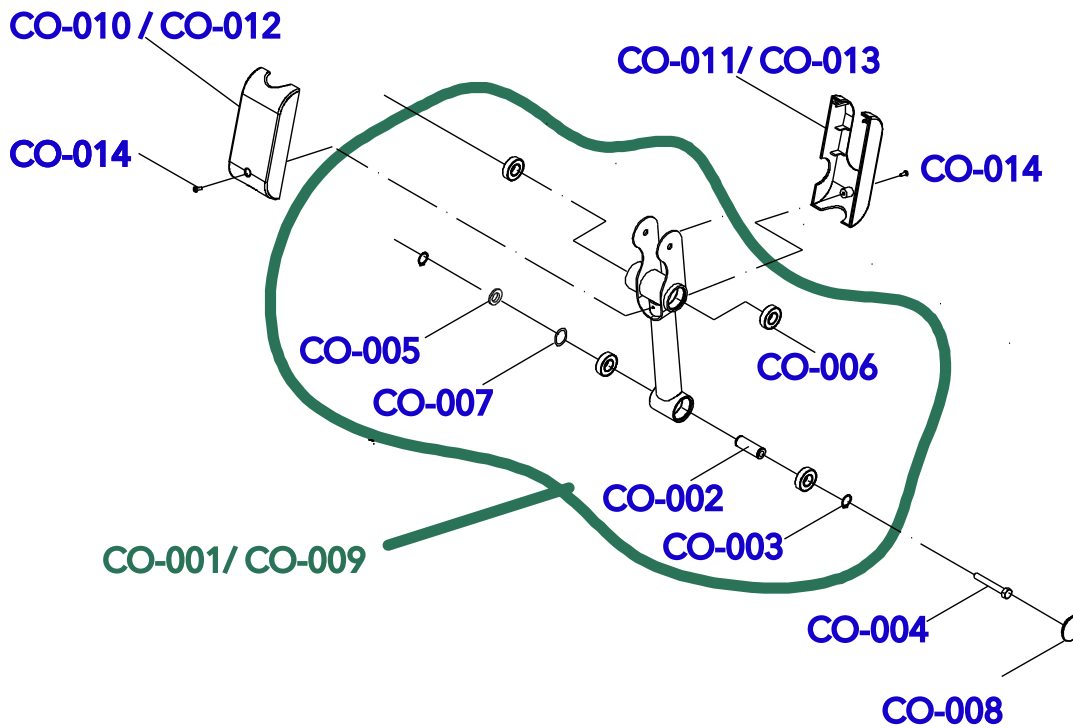
Crank Pulley & Drive Belt



Parts List

Item	Alpha Code	Part Number	Description (Quantity)
CD-001	E3X	REX0KR3	Nut (4)
CD-002	E3X	REX0J69	Washer (4)
CD-003	E3X	REX37HH	Crank Axle Weldment
CD-004	E3X	REX21NT	Hex Bolt (4)
CD-005	E3X	REX0JEJ	Retaining Ring (3)
CD-006	E3X	REX2T9F	Poly-V Belt
CD-007	E3X	REX218N	Crank Pulley
CD-008	E3X	REX01H5	Magnet
CD-009	E3X	REX0HVQ	Bearing (2)

Coupler Components & Covers

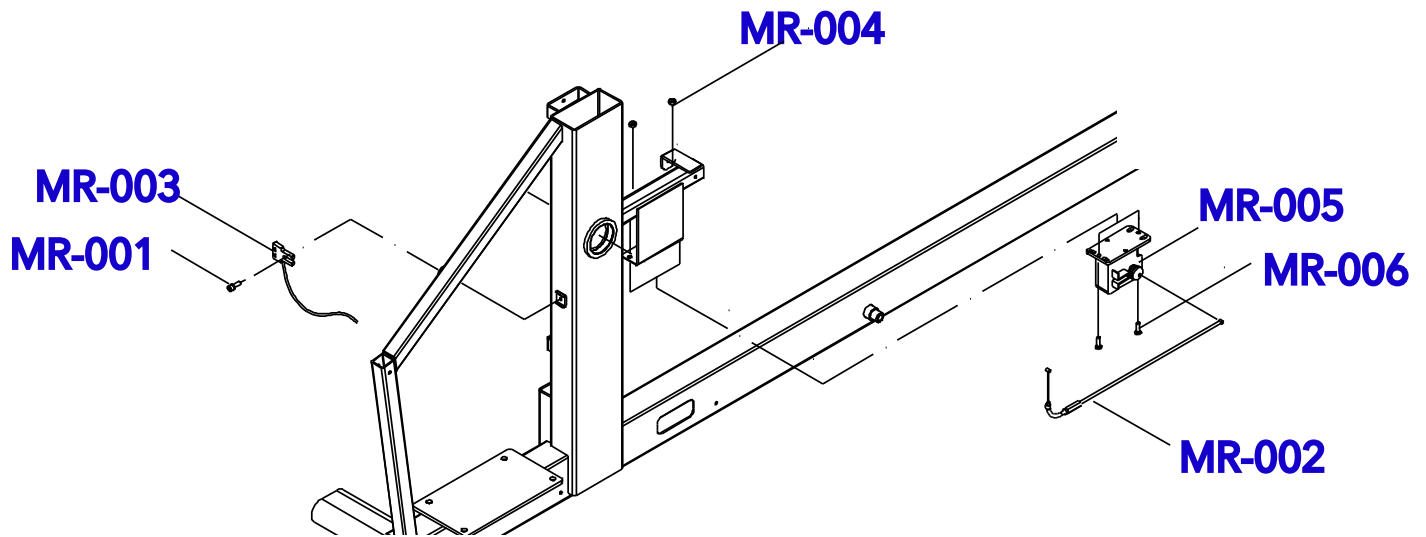


Parts List

Item	Alpha Code	Part Number	Description (Quantity)
CO-001	E3X	REX3EA8	Left Coupler Assembly (See Note 1) Not Shown
CO-002	E3X	REX2LJZ	Link Axle (2)
CO-003	E3X	REX0JEG	C-Ring (2 per Coupler)
CO-004	E3X	REX2MJK	Hex Bolt (2)
CO-005	E3X	REX2NDD	Spacer Washer (2)
CO-006	E3X	REX0HVP	Ball Bearing (4 Per Coupler)
CO-007	E3X	REX0JB7	Wave Washer (2)
CO-008	E3X	REX3E98	Coupler End Cap (2)
CO-009	E3X	REX3EA7	Right Coupler Assembly (See Note 1)
CO-010	E3X	REX3HUM	Coupler Cover, Right Rear
CO-011	E3X	REX3HUK	Coupler Cover, Right Front
CO-012	E3X	REX3HUL	Coupler Cover, Left Rear Not Shown
CO-013	E3X	REX3HUN	Coupler Cover, Left Front Not Shown
CO-014	E3X	REX2NAK	Pan M5 X 0.8-8 Screw (4)

Note 1: Coupler Assemblies (right and left) consist of: Coupler Weldment, Bearings, Link Axle, Washers, and Retaining Ring.

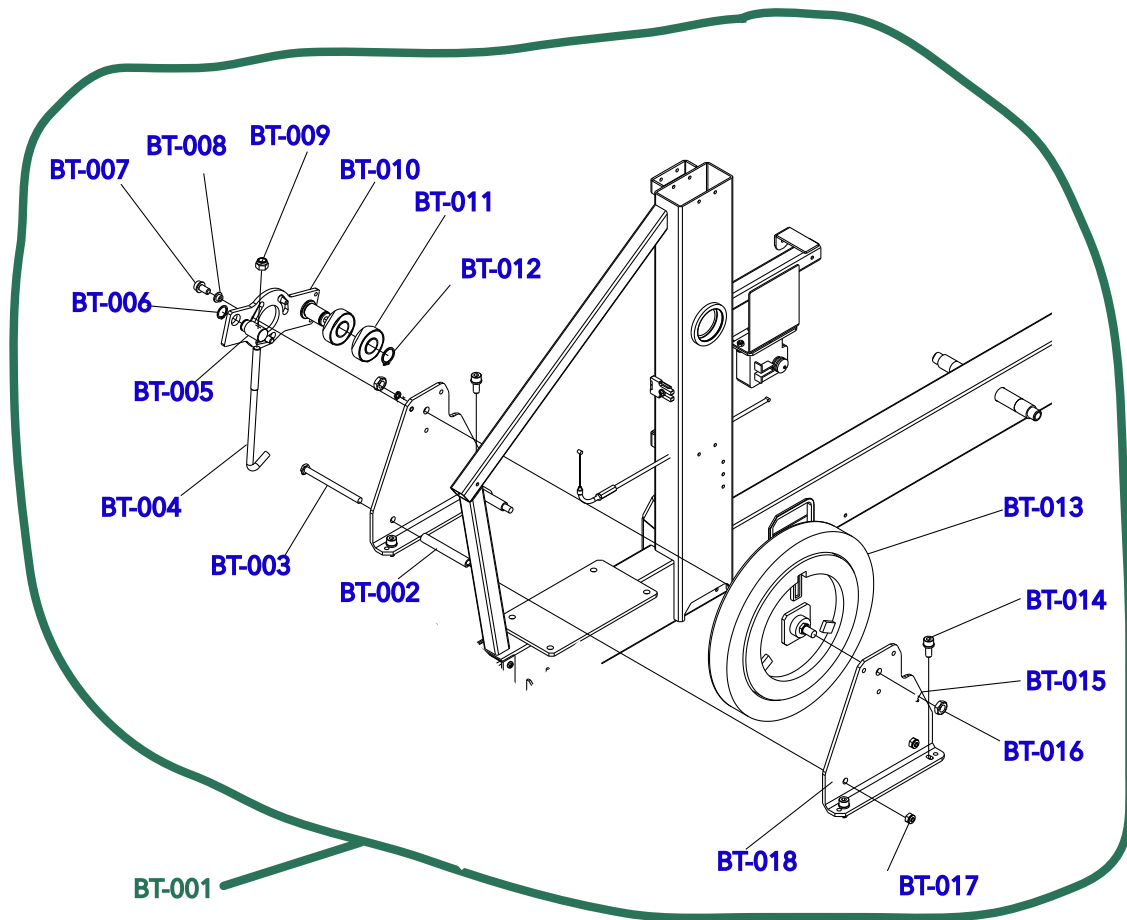
Motor



Parts List

Item	Alpha Code	Part Number	Description (Quantity)
MR-001	E3X	REX0K28	Screw
MR-002	E3X	REX01QH	Brake Cable
MR-003	E3X	REX01J8	Speed Sensor
MR-004	E3X	REX0KMR	Nut (2)
MR-005	E3X	REX01HL	Resistance Motor
MR-006	E3X	REX0KEH	Screw (2)

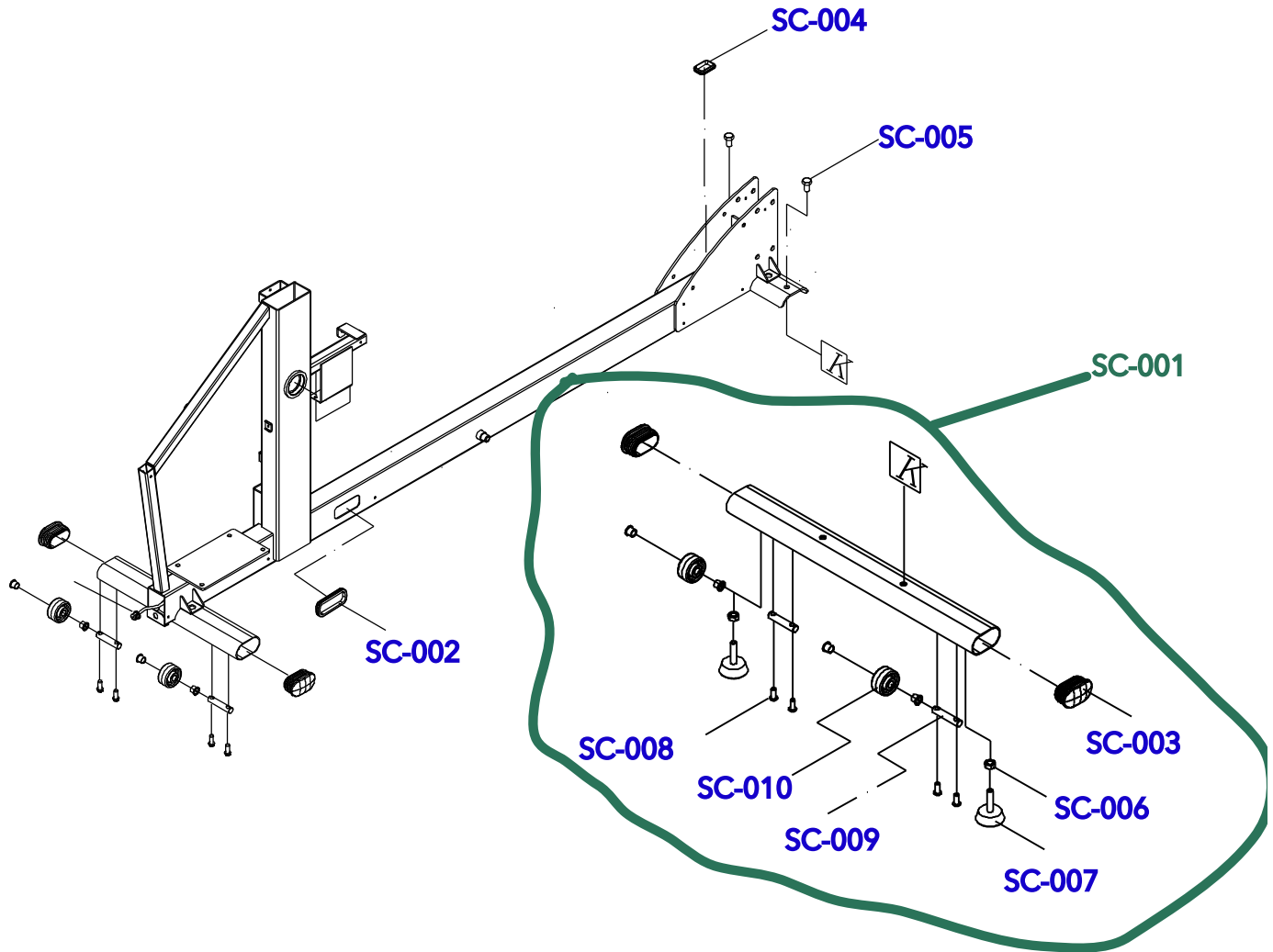
Brake & Tensioner Components



Parts List

Item	Alpha Code	Part Number	Description (Quantity)
BT-001	E3X	9001101	Service Assembly, Eddy Brake <i>(Includes All Components Shown Below)</i>
BT-002	E3X	REX21LG	Spacer (2)
BT-003	E3X	REX21NP	Bolt (2)
BT-004	E3X	REX21A6	Hook Clamp
BT-005	E3X	REX21A7	Swivel Stud
BT-006	E3X	REX22LR	Retaining Ring
BT-007	E3X	REX0K2W	Bolt (3)
BT-008	E3X	REX21X8	Tensioner Spacer (3)
BT-009	E3X	REX0KR5	Nut
BT-010	E3X	REX3535	Bracket, Belt Tensioner
BT-011	E3X	REX0HVV	Bearing (2)
BT-012	E3X	REX0JEG	Retaining Ring
BT-013	E3X	REX21BJ	Eddy Current Brake Assembly
BT-014	E3X	REX25ZJ	Cap Screw (4)
BT-015	E3X	REX0J93	Spring Washer (2)
BT-016	E3X	REX20W4	Nut (2)
BT-017	E3X	REX0KR0	Lock Nut (2)
BT-018	E3X	REX21LF	Brake Mtg. Bracket (2)

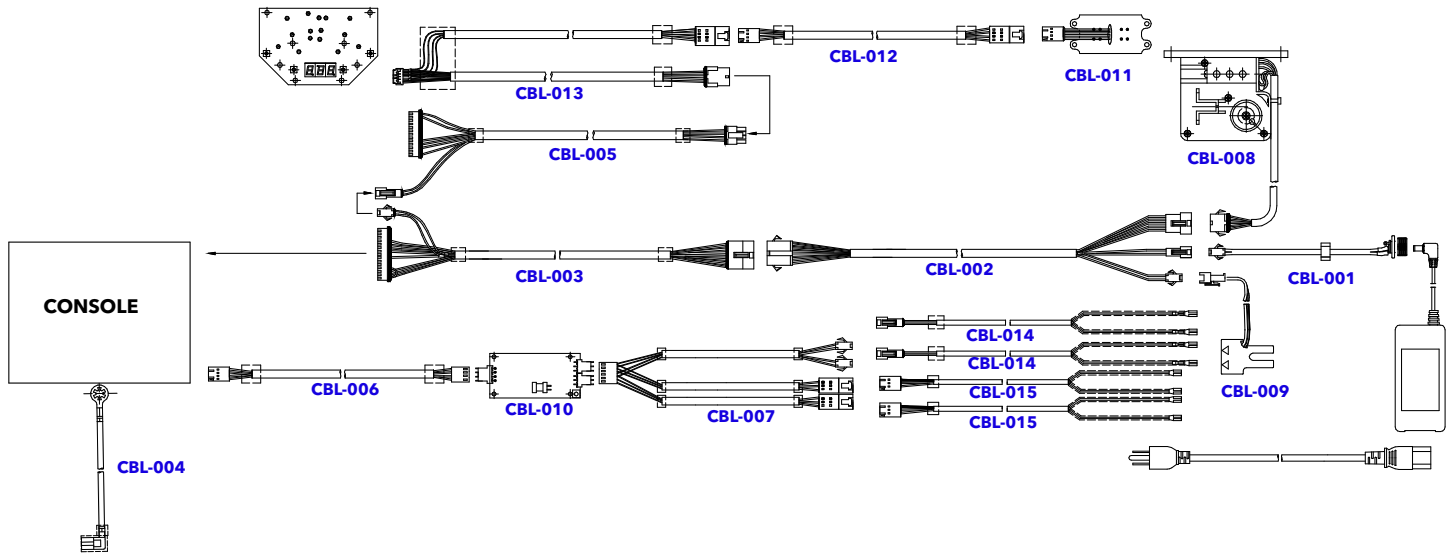
Stabilizer Components & Grommets



Parts List

Item	Alpha Code	Part Number	Description (Quantity)
SC-001	E3X	REX3HUR	Front Stabilizer Assembly <i>(Assembly Includes: Wheels, Levelers and End Caps)</i>
SC-002	E3X	REX2T6K	Grommet
SC-003	E3X	REX35JK	End Cap (4)
SC-004	E3X	REX2LUH	Grommet
SC-005	E3X	REX3JNN	Bolt (2)
SC-006	E3X	REX2T9D	Nut (2)
SC-007	E3X	REX2NFK	Leveler (2)
SC-008	E3X	REX0K0B	Bolt (8)
SC-009	E3X	REX2S4Q	Axle (4)
SC-010	E3X	REX2S4R	Wheel (4)

Wiring Diagram



Parts List

Item	Alpha Code	Part Number	Description (Quantity)
CBL-001	E3X	REX2K86	Cable, CT Motor - Transformer
CBL-002	E3X	REX2GHY	Cable, CT Base
CBL-003	E3X	REX309G	Cable, CT Base
CBL-004	E3X	REX2R27	Cable Assy, Ground
CBL-005	E3X	REX2S61	Wire Harness User Pod, User Pod Side
CBL-006	E3X	REX3HSP	Cable Assy, HR Sensor Board to Console
CBL-007	E3X	REX3HSE	Cable Assy, HR Sensor Board to HR Wires
CBL-008	E3X	REX03A1	Motor, Resistance DC
CBL-009	E3X	REX01J8	Switch, Reed, RPM Sensor
CBL-010	E3X	REX3HS9	Heart Rate Sensor Board
CBL-011	E3X	REX3HS8	Resistance Switch
CBL-012	E3X	REX3HSA	Cable Assy, Activity Zone to Resistance Switch
CBL-013	E3X	REX3HSB	Cable Assy, Activity Zone Relay
CBL-014	E3X	REX2LOJ	Cable Assy, Bullhorn HR (2)
CBL-015	E3X	REX3HSC	Cable Assy, User Arm HR (2)